

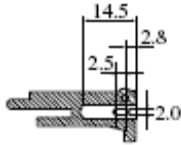
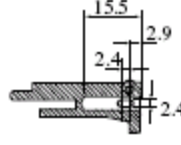

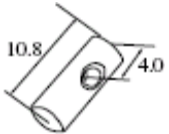
| Item No | Type | Ref | Part No | Description | Qty | Unit |
|---------|------|------|----------|--------------------------------|-----|------|
| 1 | | | 266130-9 | TAPPING SCREW BIND PT 3X16 | 1 | PC. |
| 2 | | | 267071-2 | FLAT WASHER 4 | 1 | PC. |
| 3 | | | 188234-6 | HOUSING SET | 1 | SET |
| 4 | | | 643811-6 | TERMINAL | 1 | PC. |
| 6 | | | 251314-2 | + SCREW M4X12 (FOR HOOK) | 1 | PC. |
| 7 | | | 266130-9 | TAPPING SCREW BIND PT 3X16 | 4 | PC. |
| 8 | | | 419450-2 | FRONT COVER | 1 | PC. |
| 9 | | | 266130-9 | TAPPING SCREW BIND PT 3X16 | 1 | PC. |
| 10 | | | 345704-0 | UPPER PLATE | 1 | PC. |
| 11 | | | 345703-2 | RAIL | 1 | PC. |
| 12 | | | 922112-8 | HEX. SOCKET HEAD BOLT M4X10 | 2 | PC. |
| 13 | | | 324683-5 | GUIDE BOLT | 1 | PC. |
| 14 | | | 253762-1 | FLAT WASHER 8 | 1 | PC. |
| 15 | | | 421962-3 | SPRING HOLDER | 1 | PC. |
| 16 | | | 233472-6 | COMPRESSION SPRING 17 | 1 | PC. |
| 17 | | | 421962-3 | SPRING HOLDER | 1 | PC. |
| 18 | | | 345701-6 | HAMMER | 1 | PC. |
| 19 | | | 421956-8 | CUSHION | 1 | PC. |
| 20 | | | 253804-1 | FLAT WASHER 6 | 1 | PC. |
| 21 | | | 266130-9 | TAPPING SCREW BIND PT 3X16 | 1 | PC. |
| 22 | | | 318025-3 | HOLDER | 1 | PC. |
| 23 | | | 931302-2 | HEX. NUT M6 | 1 | PC. |
| 24 | | | 345702-4 | DRIVER | 1 | PC. |
| 25 | | | 268157-5 | PIN 4 | 1 | PC. |
| 26 | | | 168430-2 | DRIVER GUIDE COVER | 1 | PC. |
| 27 | | | 922102-1 | HEX. SOCKET HEAD BOLT M4X6 | 2 | PC. |
| 28 | 1 | | 135129-4 | * MAGAZINE ASS'Y | 1 | PC. |
| | | INC. | | * Item No. 29-44,47-55 | | |
| | 2 | | 135370-9 | * MAGAZINE ASSEMBLY | 1 | PC. |
| | | INC. | | * Item No. 29-44,48-55,100,101 | | |
| 29 | | | 922122-5 | HEX.SOCKET HEAD BOLT M4X14 | 1 | PC. |
| 30 | | | 310173-4 | DRIVER GUIDE | 1 | PC. |
| 31 | | | 951054-9 | SPRING PIN 3-10 | 2 | PC. |
| 32 | | | 345699-7 | PUSHER | 1 | PC. |
| 33 | | | 310176-8 | STOPPER | 1 | PC. |
| 34 | | | 233018-8 | COMPRESSION SPRING 3 | 1 | PC. |
| 35 | | | 232229-2 | LEAF SPRING | 1 | PC. |
| 36 | 1 | | 345698-9 | * NAIL STOPPER | 3 | PC. |
| | 2 | | 346239-4 | * NAIL STOPPER | 3 | PC. |
| 37 | | | 233476-8 | COMPRESSION SPRING 4 | 3 | PC. |
| 38 | | | 318024-5 | MAGAZINE | 1 | PC. |
| 39 | | | 922102-1 | HEX. SOCKET HEAD BOLT M4X6 | 1 | PC. |
| 40 | | | 345696-3 | SPACER | 1 | PC. |
| 41 | | | 951001-0 | SPRING PIN 2-8 | 1 | PC. |
| 42 | | | 318023-7 | LOWER RAIL | 1 | PC. |
| 43 | 1 | | 419445-5 | * NAIL GUIDE HOLDER | 1 | PC. |
| | 2 | | 451785-5 | * NAIL GUIDE HOLDER - N/L/A | 1 | PC. |
| | 3 | | 452877-3 | * NAIL GUIDE HOLDER | 1 | PC. |
| 44 | 1 | | 158264-1 | * UPPER RAIL COMPLETE | 1 | PC. |
| | | INC. | | * Item No. 45.46 | | |
| | 2 | | 140414-2 | * UPPER RAIL COMPLETE | 1 | PC. |
| | | INC. | | * Item No. 45.46 | | |
| 45 | | | 810310-5 | CAUTION LABEL | 1 | PC. |

| Item No | Type | Ref | Part No | Description | Qty | Unit |
|---------|------|------|----------|-----------------------------|-----|------|
| 46 | | | 810311-3 | CAUTION LABEL | 1 | PC. |
| 47 | | | 951001-0 | * SPRING PIN 2-8 (Old) | 1 | PC. |
| 48 | | | 911113-1 | PAN HEAD SCREW M4X10 | 1 | PC. |
| 49 | | | 419443-9 | SHOULDER PIN 5-7 | 1 | PC. |
| 50 | | | 233470-0 | COMPRESSION SPRING 5 | 1 | PC. |
| 51 | | | 266177-3 | HEX. SOCKET HEAD BOLT M3X10 | 2 | PC. |
| 52 | | | 419446-3 | LEVER | 1 | PC. |
| 53 | | | 233117-6 | COMPRESSION SPRING 6 | 1 | PC. |
| 54 | | | 951066-2 | SPRING PIN 3-18 | 1 | PC. |
| 55 | | | 419444-7 | SLIDE DOOR CAP | 1 | PC. |
| 56 | | | 268158-3 | PIN 5 | 1 | PC. |
| 57 | | | 265040-7 | + PAN HEAD SCREW M3X4 | 1 | PC. |
| 58 | | | 345705-8 | LOCK ARM | 1 | PC. |
| 59 | | | 629838-0 | DC MOTOR | 1 | PC. |
| 60 | | | 267053-4 | FLAT WASHER 12 | 1 | PC. |
| 61 | | | 227166-3 | INTERNAL GEAR 69 | 1 | PC. |
| 62 | | | 232230-7 | LEAF SPRING | 2 | PC. |
| 63 | | | 221961-3 | SPUR GEAR 27 | 3 | PC. |
| 64 | | | 154973-0 | SPUR GEAR 7 COMPLETE | 1 | PC. |
| 65 | | | 345773-1 | ANTI BACK PLATE | 1 | PC. |
| 66 | | | 154972-2 | SPUR GEAR 55 COMPLETE | 1 | PC. |
| 67 | | | 214060-8 | PLANE BEARING 10 | 1 | PC. |
| 68 | | | 631704-9 | LED CIRCUIT | 1 | PC. |
| 69 | | | 419452-8 | LIGHT SWITCH ARM | 1 | PC. |
| 70 | | | 233032-4 | COMPRESSION SPRING 2 | 1 | PC. |
| 71 | | | 651891-8 | SWITCH V-15-3A6 | 2 | PC. |
| 72 | | | 256299-7 | PIN 3 | 1 | PC. |
| 73 | | | 419453-6 | LINK PLATE | 1 | PC. |
| 74 | | | 231693-4 | TORSION SPRING 4 | 1 | PC. |
| 75 | | | 419454-4 | SAFETY TRIGGER | 1 | PC. |
| 76 | | | 256299-7 | PIN 3 | 1 | PC. |
| 77 | | | 188168-3 | TRIGGER SET | 1 | PC. |
| | | INC. | | Item No. 78-83 | | |
| 78 | | | 419451-0 | TRIGGER | 1 | PC. |
| 79 | | | 256771-9 | PIN 2.5 | 1 | PC. |
| 80 | | | 257926-9 | STOP RING E-2.0 | 2 | PC. |
| 81 | | | 345707-4 | SWING ARM | 1 | PC. |
| 82 | | | 231694-2 | TORSION SPRING 3 | 1 | PC. |
| 83 | | | 231695-0 | TORSION SPRING 3 | 1 | PC. |
| 84 | | | 233360-7 | COMPRESSION SPRING 4 | 1 | PC. |
| 85 | | | 256176-3 | PIN 2.5 | 1 | PC. |
| 86 | | | 256176-3 | PIN 2.5 | 1 | PC. |
| 87 | | | 345706-6 | GUIDE PLATE | 1 | PC. |
| 88 | | | 231692-6 | TORSION SPRING 4 | 1 | PC. |
| 89 | 1 | | 168431-0 | * CAM BLOCK | 1 | PC. |
| | 2 | | 168489-9 | * CAM BLOCK | 1 | PC. |
| 90 | | | 233188-3 | COMPRESSION SPRING 2.4 | 1 | PC. |
| 91 | | | 951001-0 | SPRING PIN 2-8 | 1 | PC. |
| 92 | 1 | | 324684-3 | * PUSH PIN | 1 | PC. |
| | 2 | | 324923-1 | * PUSH PIN | 1 | PC. |
| 93 | | | 345708-2 | SWITCH ARM | 1 | PC. |
| 94 | | | 256176-3 | PIN 2.5 | 1 | PC. |
| 97 | | | 911163-6 | PAN HEAD SCREW M4X35 | 1 | PC. |

| Item No | Type | Ref | Part No | Description | Qty | Unit |
|--|------|------|----------|--------------------------------|-----|------|
| 98 | | | 266130-9 | TAPPING SCREW BIND PT 3X16 | 8 | PC. |
| 99 | | | 911123-8 | PAN HEAD SCREW M4X14 | 2 | PC. |
| 100 | | | 233459-8 | * COMPRESSION SPRING 3 (Add) | 1 | PC. |
| 101 | | | 951054-9 | * SPRING PIN 3-10 (Add) | 1 | PC. |
| <u>ACCESSORIES</u> | | | | | | |
| - See catalogue or visit www.makita.ca for more accessories information - | | | | | | |
| A01 | 1 | | 192517-8 | SAFETY GOGGLE - N/L/A | 1 | PC. |
| | 2 | | 195246-2 | SAFETY GOGGLE | 1 | PC. |
| A02 | | | 419525-7 | NOSE ADAPTER | 1 | PC. |
| A03 | | | 783201-2 | HEX. WRENCH 3 | 1 | PC. |
| A04 | 1 | | 324553-8 | * HOOK - N/L/A | 1 | PC. |
| | 2 | | 324705-1 | * HOOK F/ BL1430, BL1830 | 1 | PC. |
| | 3 | | 346449-3 | * HOOK F/ BL1430, BL1830 | 1 | PC. |
| A05 | 1 | | 824863-8 | PLASTIC CARRYING CASE | 1 | PC. |
| | | INC. | 324667-3 | SHAFT | 1 | PC. |
| | | INC. | 413098-2 | PLATE | 4 | PC. |
| | | INC. | 417724-5 | LATCH | 2 | PC. |
| | | INC. | 419215-2 | PLASTIC CASE LID | 1 | PC. |
| | | INC. | 419216-0 | HANDLE | 1 | PC. |
| | 2 | | 141074-3 | PLASTIC CARRYING CASE COMPLETE | 1 | PC. |
| | | INC. | 324667-3 | SHAFT | 1 | PC. |
| | | INC. | 413098-2 | PLATE | 4 | PC. |
| | | INC. | 417724-5 | LATCH | 2 | PC. |
| | | INC. | 419215-2 | PLASTIC CASE LID | 1 | PC. |
| | | INC. | 419216-0 | HANDLE | 1 | PC. |
| A06 | 1 | | DC18RA | CHARGER DC18RA | 1 | PC. |
| | 2 | | DC18RC | CHARGER DC18RC | 1 | PC. |
| A07 | | | 194066-1 | 14.4V LI-ION BATTERY BL1430 | 1 | PC. |
| A08 | | | 450128-8 | BATTERY COVER | 1 | PC. |



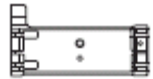
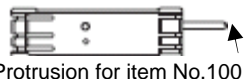





SERVICE CHANGES

1. Changes on Cam Block and Push Pin

| Item No. | Description | Type 1 | Type 2 |
|----------|-------------|---|--|
| 89 | Cam Block | 168431-0 | 168489-9 |
| | |  |  |
| 92 | Push Pin | 324684-3 | 324923-1 |
| | |  |  |

Above parts are completely interchangeable as a set.

2. Changes on Magazine Assy

| Item No. | Description | Type 1 | Type 2 | Type 3 |
|----------|----------------------|---|--|---|
| 28 | Magazine Assy | 135129-4 | 135370-9 | |
| 36 | Nail Stopper | 345698-9 | 346239-4 | |
| | |  |  Notch | |
| 43 | Nail Guide Holder | 419445-5 | 451785-5 | 452877-3 |
| | |  |  Protrusion for item No.100 | Material change (reinforced by glass fiber) |
| 44 | Upper Rail Com. | 158264-1 | 140414-2 | |
| | |  |  Hole for Item No. 101 | |
| 47 | Spring Pin | 951001-0 | ----- | |
| | |  | (Eliminated) | |
| 100 | Compression Spring 3 | ----- | 233459-8 | |
| | | (None) |  | |
| 101 | Spring Pin 3-10 | ----- | 951054-9 | |
| | | (None) |  | |

Above parts are completely interchangeable as a set.

3. Changes on Hook

| Item No. | Description | Type 2 | Type 3 |
|----------|-------------|----------|----------|
| A04 | Hook | 324705-1 | 346449-3 |

